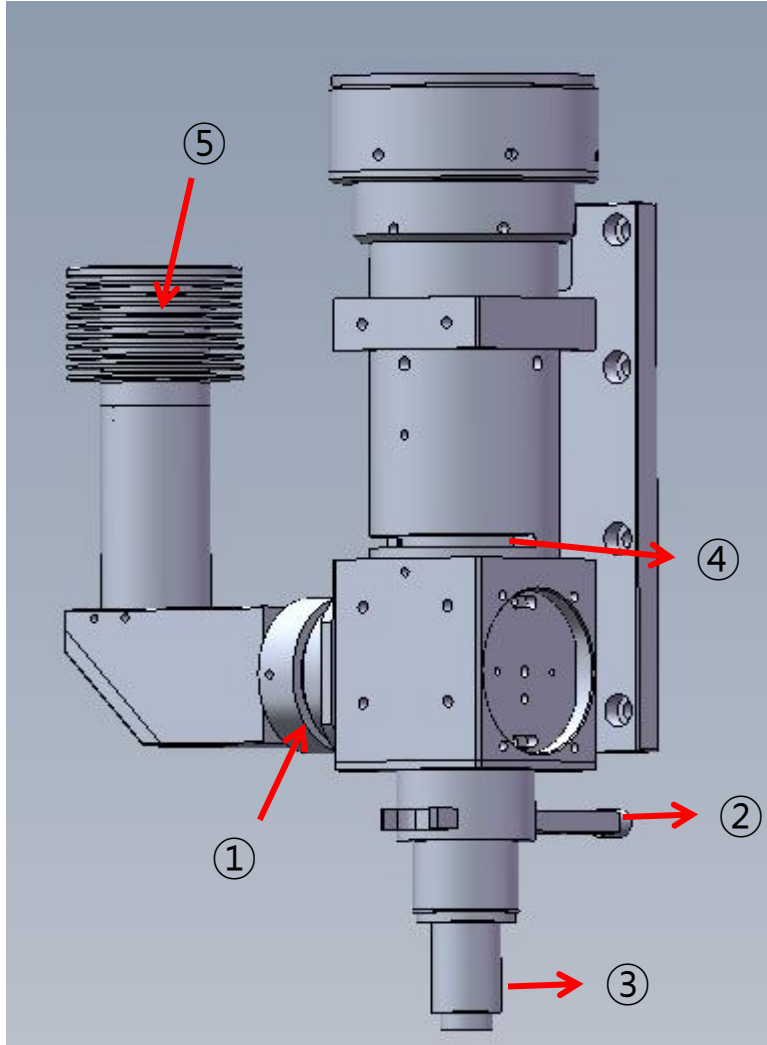
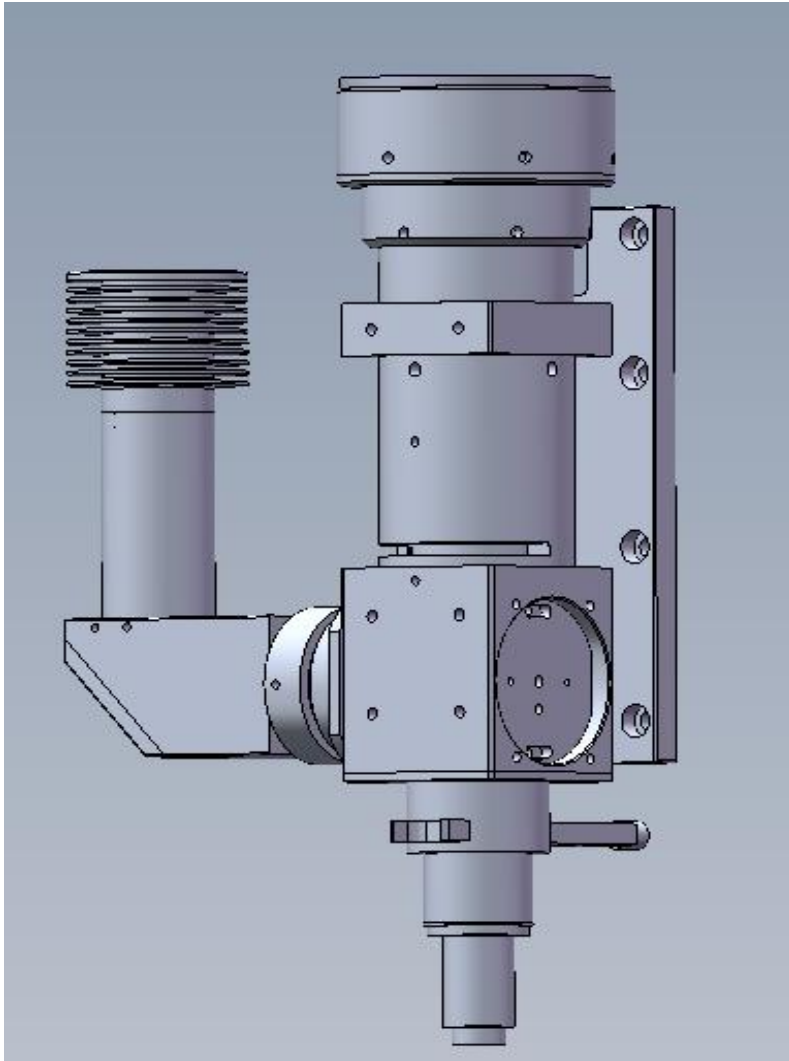


# DIC Microscope



No.	Component name
1	Polarizer
2	DIC Prism Differential I Interference C Contrast
3	Object lens(10X)
4	Analyzer
5	Illumination

# DIC Microscope



## Specification

Total Mag.	9.72X
Pixel Resolution	0.72um (@ Camera Pixel 7um)
D.O.F	6.5um (C.O.C 14um)
F.O.V.	About 2mm
W.D.	10mm
Mount	M72
Illumination	Blue